

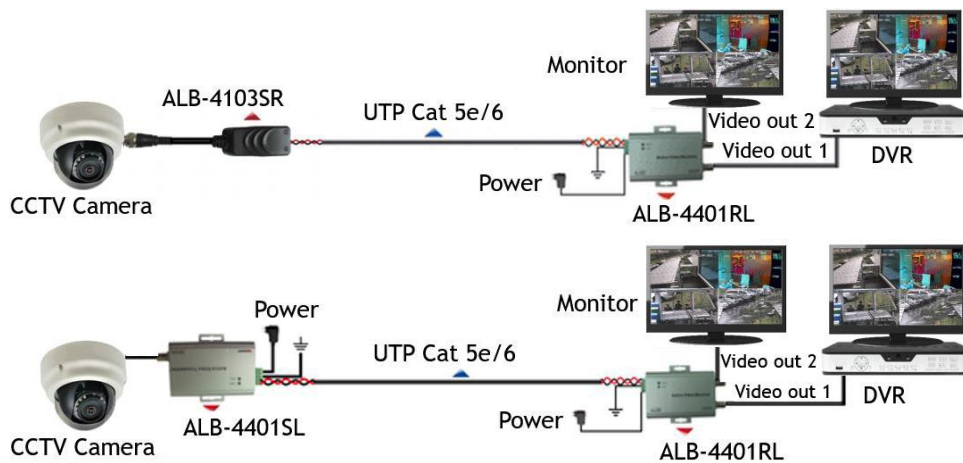


Model	ALB-4401SL	ALB-4401RL
		
Video		
Video Format	PAL, NTSC, SECAM	
Max Distance	UTP Category 5e (24AWG) Color: 1200m, B&W: 2000m	
Video Adjustment	4-position Dip Switches Distance Adjustable	Brightness & Sharpness Adjustable
Connector		
Video Input	Female BNC Connector	
Video Output	Pluggable Screw Terminal Block for UTP	
System		
LED Indicators	Red: Power-On, Yellow: "Active" Signal Present	
Surge Protection	Built-in Transient Voltage Suppressor (TVS)	
Power Input	DC 12V Power Adaptor	
Power Consumption	< 100mW	
Ground Isolation	Yes	
Mechanical		
Dimension (L x W x H)	94.5 x 64 x 22 mm	
Weight	210 g	220 g
Environmental		
Operating Temperature	-10 ~ 50 °C	
Operating Humidity	10 ~ 85% (non-condensing)	



Related Products



Analog Passive Balun
ALB-4103SR